

EV6250A Series IP Speed Dome Camera

PTZ IP Camera, Best Image Quality at Low Bandwidth



H.264

Audio

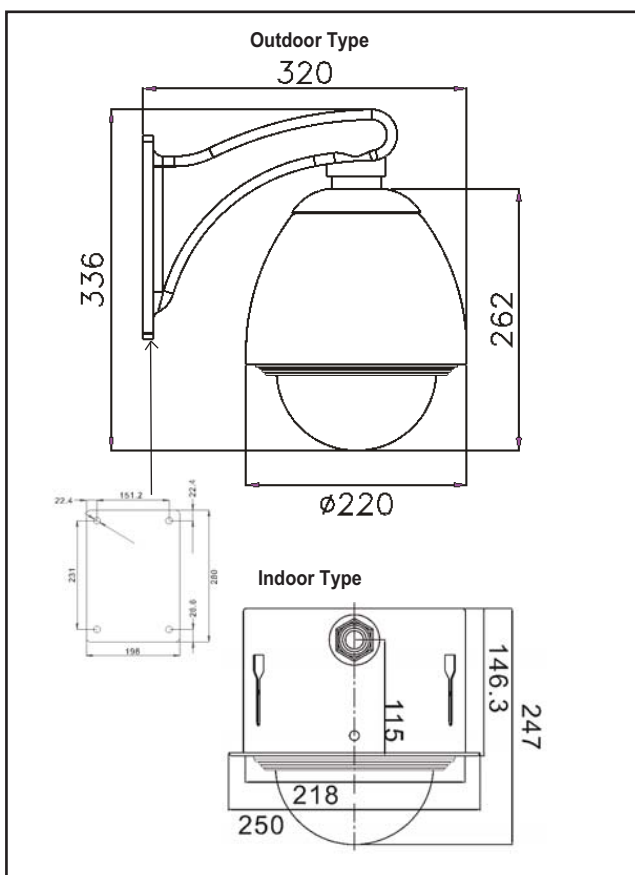
PTZ

D/N

Features

- SONY 1/4" EX-VIEW CCD
- 360° Pan, 90° Scan, 180° Auto Flip
- Lens: f=4.1mm(w) to 73.8mm (t), F1.4~F3.0
- 1.0 Lux Minimum Illumination
- H.264, MPEG-4, M-JPEG Dual Streams Simultaneously
- D1, CIF, QCIF Image Resolution
- Up to 30 fps (NTSC) / 25 fps (PAL) at D1 Resolution
- 2-way Audio
- Digital In / Out
- Indoor / IP 66 Water-proof Outdoor Housing Available
- Up to 20 sec Video Buffer
- File/Clip Upload via FTP and Email, Notification via Email, External Output Activation
- ARM 9 Based 32-bit RISC, 512Mbits

Dimensions



Specifications

	Model	EV6250A-BI EV6250A-BO	EV6250A-CI EV6250A-CO	EV6250A-DI EV6250A-DO	EV6250A-EI EV6250A-EO
Camera	Image Sensor	SONY 1/4" EX-VIEW CCD			SONY 1/4" EX-VIEW HAD CCD
	Lens	f=4.1mm(wide) to 73.8mm(tele), F1.4 to F3.0		f=3.5mm(wide) to 91mm(tele), F1.6 to F3.8	f=3.4mm(wide) to 122.4mm(tele), F1.6 to F4.5
	Minimum Illumination	1.0 Lux	0.01 Lux 0.7 Lux B/W Mode Auto Switch		0.01 Lux 0.7 Lux B/W Mode Auto Switch
	Pan / Tilt	360° Continuous Pan Rotation / 90° Scan Range / 180° Auto Flip			
	Zoom	72X (18xOpti., 4xDigital)	216X (18xOpti., 12xDigital)	312X (26xOpti., 12xDigital)	432X (36xOpti., 12xDigital)
	Day & Night	N/A	Built-in IR-Cut		Built-in ICR, auto-switch
	Number of Effective	App. 380,000(NTSC) , App.440,000(PAL)			
	Iris & Focus	Auto Iris & Auto Focus			
	BLC	Auto			
	White Balance	Auto			
	Horizontal Resolution	480 TVL			530 TVL
	S/N Ratio	More than 50dB			
Video / Audio	Video Compression	M-JPEG, MPEG-4,H.264 Format Selectable			
	Resolutions	NTSC: D1(720x480), CIF(352x240), QCIF(176x120) PAL: D1 (720x576), CIF(352x288), QCIF(176x144)			
	Frame Rate	Up to 30fps (NTSC) / 25fps (PAL) @ D1 Resolution			
	Video Streaming	Simultaneous Dual Stream Controllable Frame Rate and Bandwidth			
	Image Settings	Compression			
	Bit Rate	M-JPEG: 5 Video Quality Level Selectable; MPEG-4/H.264 : 64K~4Mbps			
Network	Audio	Audio In/Out ADPCM			
	Security	Password Protection, IP Address Filtering, User Access Privilege			
System Integration & Maintenance	Supported Protocols	TCP/IP, DHCP, PPPoE, HTTP, DDNS, NTP, FTP, SMTP, UDP, RTSP, 3GPP, UPnP			
	Application	EtroSDK™ 3.0			
	Intelligent Video	Video Motion Detection			
	Alarm Events	Intelligent Video, File Upload via FTP and E-mail, Notification via E-mail, External Output Activation			
General	Video Buffer	Pre-and Post Alarm Buffer up to 10-sec			
	Configuration	EtroScan™ Utility			
	Web Browser	Microsoft Internet Explorer 6.0, or Above			
	Casing	IP66 Casing			
	Outdoor Protection Level	IP66 (Outdoor Model Only)			
	Dimension	218 (Ø) x 247 (H) mm (Indoor) 220 (Ø) x 262 (H) mm (Outdoor)			
	Processor and Memory	ARM9 Base SoC, 128MB RAM, 16MB Flash			
	Power	12V DC / 2.42 A			
	Connectors	RJ-45 for 10BASE-T/100 BASE-TX,DC Jack ,EtroLink™, BNC, Audio In, Audio Out, DI/DO			
	CPU	Pentium 4, 2.4GHz and Above			
	Hard Disk	40 GB or Above			
	Memory	512 MB or Above			
Operating System	Windows XP with SP2 or Above / Windows 2000 with SP4 or Above				
Video Resolution	SVGA or XGA with 1024 x 768 Resolution				
Software	DirectX 9.0C or Above				
Operating Conditions	Temperature: - 20~50°C /				
	Humidity: 30~90% RH				
Approvals	CE, FCC, RoHS				
Weight	~7 kg				
Included Accessories	CD-ROM (User Manual, Free Bundle NVR), USB Cable				