

# EV6356A Series IP Camera

H.264 Professional IR PoE Outdoor IP Camera



H.264

Audio

PoE

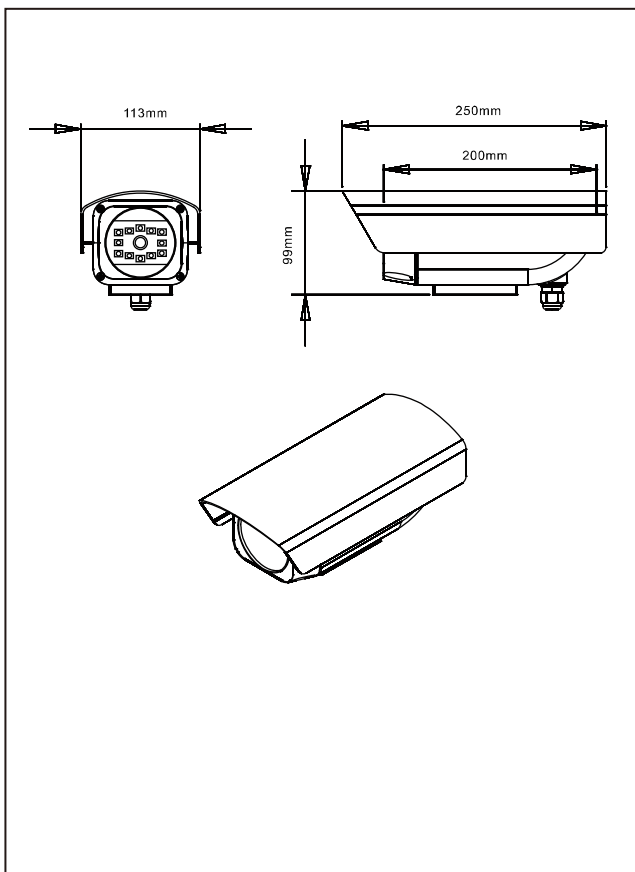
IP66

Day & Night

## Features

- 1/3" SONY CCD with High Image Quality
- IP66 Water Proof
- 12pcs High-light LED, Performing 35M IR Distance
- PoE Support (Optional)
- Auto Control : Backlight Compensation / Gain Control / White Balance
- Vari-focal / Auto Iris Lens
- Auto Gain / Auto White Balance
- 30fps, H.264 / M-JPEG / MPEG-4 at D1 Resolution
- 2-way Audio
- Full-feature System Design
- 0.06 Lux / 0 Lux (IR LED On)

## Dimensions



## Specifications

	Model	EV6356A-BO	EV6356AP-BO	EV6356A-CO	EV6356AP-CO
Camera	<b>Image Sensor</b>	1/3" Sony CCD Sensor			
	<b>Lens</b>	External Adjustable Lens of Vari-focal / Auto Iris 3.8-9.5mm		External Adjustable Lens of Vari-focal / Auto Iris 9-22mm from Outside	
	<b>Light Sensitivity</b>	0.06 Lux / 0 Lux (IR LED On)			
	<b>Shutter Time</b>	NTSC: 1/60-100,000 sec., PAL: 1/50-100,000			
	<b>Auto Control</b>	BackLight Compensation / Gain Control / White Balance			
	<b>Number of Effective Pixels (HxV)</b>	811 x 508 (NTSC) , 795 x 596 (PAL)			
	<b>Iris</b>	Auto Iris			
	<b>Gain</b>	Auto			
	<b>White Balance</b>	Auto			
	<b>Built-in IR LED</b>	12pcs High-Light LED			
	<b>IR Wavelength / Beam Angle</b>	850nm			
	<b>IR View Angel</b>	View Angle: 50~180°, Beam Spread: 30°/per LED			
	<b>Max. IR Range</b>	35 Meter			
	<b>Horizontal Resolution</b>	420 TVL		520 TV lines	
	<b>S/N Ratio</b>	More than 50dB (AGC Off)			
Video / Audio	<b>Video Compression</b>	M-JPEG, MPEG-4, H.264 Format Selectable			
	<b>Resolutions</b>	NTSC: D1(720x480), CIF(352x240), QCIF(176x120) PAL: D1 (720x576), CIF(352x288), QCIF(176x144)			
	<b>Frame Rate</b>	Up to 30fps (NTSC) / 25fps (PAL) @ D1 Resolution			
	<b>Video Streaming</b>	Simultaneous Dual Stream Controllable Frame Rate and Bandwidth			
	<b>Image Settings</b>	Compression			
	<b>Bit Rate</b>	M-JPEG: 5 Video Quality Level Selectable; MPEG-4/H.264 : 64K-4Mbps			
Network	<b>Audio</b>	Audio In/Out ADPCM			
	<b>Security</b>	Password Protection, IP Address Filtering, User Access Privilege			
System Integration & Maintenance	<b>Supported Protocols</b>	TCP/IP, DHCP, PPPoE, HTTP, DDNS, NTP, FTP, SMTP, UDP, RTSP, 3GPP, UPnP			
	<b>Application</b>	EtroSDK™ 3.0			
	<b>Intelligent Video</b>	Video Motion Detection			
	<b>Alarm Events</b>	Intelligent Video, File Upload via FTP and E-mail, Notification via E-mail, External Output Activation			
General	<b>Video Buffer</b>	Pre-and Post Alarm Buffer up to 10-sec			
	<b>Configuration</b>	EtroScan™ Utility			
	<b>Web Browser</b>	Microsoft Internet Explorer 6.0, or Above			
	<b>Casing</b>	IP66 Casing			
	<b>Outdoor Protection Level</b>	IP66			
	<b>Dimension</b>	113mm(W) X 250mm(H) X 99mm(D) mm			
	<b>Processor and Memory</b>	ARM9 Base SoC, 128MB RAM, 16MB Flash			
	<b>Power</b>	12 VDC / 1A			
	<b>Connectors</b>	RJ-45 for 10BASE-T/100 BASE-TX, DC Jack ,EtroLink™, BNC, Audio In, Audio Out, DI/DO			
	<b>CPU</b>	Pentium 4, 2.4GHz and Above			
<b>Hard Disk</b>	40 GB or Above				
<b>Memory</b>	512 MB or Above				
<b>Operating System</b>	Windows XP with SP2 or Above / Windows 2000 with SP4 or Above				
<b>Video Resolution</b>	SVGA or XGA with 1024 x 768 Resolution				
<b>Software</b>	DirectX 9.0C or Above				
<b>Operating Conditions</b>	Temperature: -20~50°C / Humidity: 30~90% RH				
<b>Approvals</b>	CE, FCC, RoHS				
<b>Weight</b>	2.5 kg				
<b>Included Accessories</b>	CD-ROM (User Manual, Free Bundle NVR), USB Cable				