

# EV6551A Series IP Camera

H.264 Superior Image Quality at Low Bandwidth,  
3-Axis Design and Vari-focal Lens, Vandal/Weather-proof,  
Full Features for Various Applications



H.264

Audio

PoE

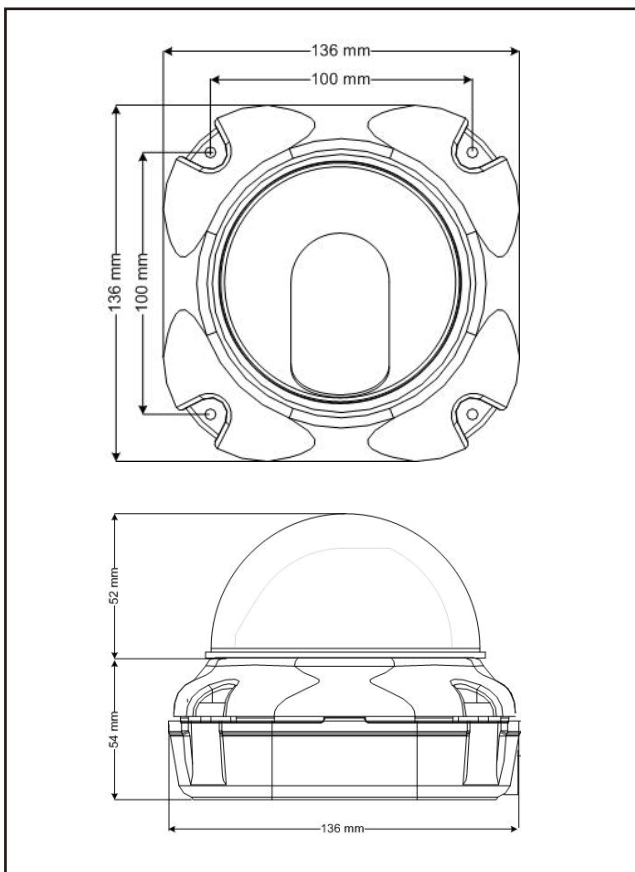
IP66

Day & Night

## Features

- 1/3" High Resolution CCD+ SONY 11X DSP
- 2-Axis Swivel Design
- 90° Pan Adjustable
- 3-9mm (F1.2) Auto Iris Lens (EV6551A-CI Series)
- 0.1 Lux (IR Off), 0 Lux (IR On)
- Day and Night
- H.264, MPEG-4, M-JPEG Dual Streams Simultaneously
- D1, CIF, QCIF Image Resolution
- Up to 30fps (NTSC) / 25fps (PAL) at D1 Resolution
- 2-way Audio
- Digital In / Out
- Power over Ethernet (Optional)
- Vandal-proof and Water-proof Housing (IP66)

## Dimensions



## Specifications

	Model	EV6551A-BI	EV6551AP-BI	EV6551A-CI	EV6551AP-CI
Camera	<b>Image Sensor</b>	1/3" SONY Super HAD CCD		1/3" High Res. CCD+ SONY 11X DSP	
	<b>Lens</b>	6mm Fixed Lens		3 ~ 9mm (F1.2) Auto Iris Lens	
	<b>Light Sensitivity</b>	0.1 Lux (IR off), 0 Lux (IR on)		0.05 Lux (IR off), 0 Lux (IR on)	
	<b>Shutter Time</b>	1/60~1/100,000 (NTSC) , 1/50~ 1/100,000 (PAL)			
	<b>Camera Angle Adjustment</b>	Pan Only		3-Axis Swivel Design	
	<b>Pan / Tilt / Zoom</b>	Pan: 90°		3-Axis Swivel Design	
	<b>Number of Effective Pixels (HxV)</b>	510 x 492 (NTSC)		768 x 494 (NTSC)	
	<b>BLC</b>	Auto			
	<b>Gain</b>	Auto			
	<b>White Balance</b>	Auto			
	<b>Sync System</b>	Internal			
	<b>Horizontal Resolution</b>	420 TV Lines		520 TV Lines	
	<b>S/N Ratio</b>	More than 48 dB			
	<b>LED</b>	12 pcs		24 pcs	
	<b>Max Night Vision</b>	10 Meters		20 Meters	
	Video / Audio	<b>Video Compression</b>	M-JPEG, MPEG-4,H.264 Format Selectable		
<b>Resolutions</b>		NTSC: D1(720x480), CIF(352x240), QCIF(176x120) PAL: D1 (720x576), CIF(352x288), QCIF(176x144)			
<b>Frame Rate</b>		Up to 30fps (NTSC) / 25fps (PAL) @ D1 Resolution			
<b>Video Streaming</b>		Simultaneous Dual Stream Controllable Frame Rate and Bandwidth			
<b>Image Settings</b>		Compression, Brightness, Contrast, Exposure Control, White Balance , Mirror			
<b>Bit Rate</b>		M-JPEG: 5 Video Quality Level Selectable; MPEG-4/H.264 : 64K~4Mbps			
Network	<b>Audio</b>	Audio In/Out ADPCM			
	<b>Security</b>	Password Protection, IP Address Filtering, User Access Privilege			
	<b>Supported Protocols</b>	TCP/IP, DHCP, PPPoE, HTTP, DDNS, NTP, FTP, SMTP, UDP, RTSP, 3GPP, UPnP			
System Integration & Maintenance	<b>Application Programming Interface</b>	EtroSDK™ 3.0			
	<b>Intelligent Video</b>	Video Motion Detection			
	<b>Alarm Events</b>	Intelligent Video, File Upload via FTP and E-mail, Notification via E-mail, External Output Activation			
	<b>Video Buffer</b>	Pre-and Post Alarm Buffer up to 10-sec			
	<b>Configuration</b>	EtroScan™ Utility			
	<b>Web Browser</b>	Microsoft Internet Explorer 6.0, or Above			
General	<b>Casing</b>	Metal (Aluminium)			
	<b>Dimension</b>	136(Ø) X 106(H) mm			
	<b>Processor and Memory</b>	ARM9 Base SoC, 128MB RAM, 16MB Flash			
	<b>Power</b>	12V DC / 1A			
	<b>Connectors</b>	RJ-45 for 10BASE-T/100 BASE-TX,DC Jack ,EtroLink™, BNC, Audio In, Audio Out, DI/DO			
	<b>CPU</b>	Pentium 4, 2.4GHz and Above			
	<b>Hard Disk</b>	40 GB or Above			
	<b>Memory</b>	512 MB or Above			
	<b>Operating System</b>	Windows XP with SP2 or Above / Windows 2000 with SP4 or Above			
	<b>Video Resolution</b>	SVGA or XGA with 1024x768 Resolution			
	<b>Software</b>	DirectX 9.0C or Above			
	<b>Operating Conditions</b>	Temperature: 0 °C ~ 40 °C (32 °F ~ 104 °F) Humidity: 20% ~ 80% RH			
	<b>Power over Ethernet</b>	N/A	Yes	N/A	Yes
	<b>Approvals</b>	CE, FCC, RoHS			
<b>Weight</b>	925g				
<b>Included Accessories</b>	Power Adapter, USB Cable, CD-ROM (User Manual, Free Bundle NVR)				